

Three Phase Inverter

EA-13K/17K/20K-TL



Features

Features

- Including three series, 7 models
- Both economical and high efficiency
- Smaller and lighter, 20KW-TL weighs only 45kg
- External Inductor
- LCD screen with four buttons
- Ethernet wifi or GPRS cascade data communication technology
- User, installer, distributor, Omnik headquarter all-round remote control
- Meets VDE-AR-N4105, BDEW approval
- Built-in lightning protection module as an option

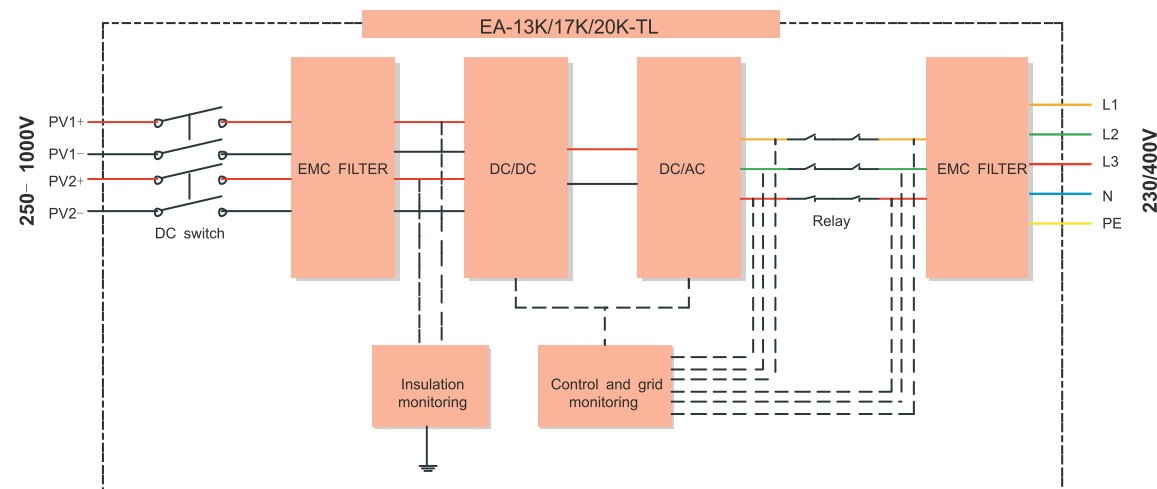
Advantages

- Meets all the needs of medium power three phase inverter
- Economy, high reliability and long life circle
- Convenient to transport and instal
- Reducing machine temperature, extends device lifetime
- Easy to operate, user friendly
- One power station needs only one monitoring equipment
- Real-time operation condition accessible, fast fault responding speed
- Adjustable active and reactive power
- Built-in lightning protection module (eliminating the need for external one)

Benefits

- Choosing suitable product according to actual need
- Reducing system cost, quick cost-recovering, gaining profit
- Saving transportation and installation time and cost, saving installation space
- Increased machine working life
- Machine operation condition vividly visible
- Reducing system cost, while ensuring data precision transmission
- Actively offering after-sale service
- Meeting the most advanced standard in the industry, providing machine performance guarantee
- Simplified system structure, saving installation time and space

Block Diagram



Specifications

MODEL	EA-13K-TL	EA-17K-TL	EA-20K-TL
INPUT (DC)			
Max. PV Power	13500W	17600W	21200W
Max. DC Voltage	1000V	1000V	1000V
Nominal DC Voltage	640V	640V	640V
Operating MPPT Voltage Range	250-800V	250-850V	250-850V
MPPT Voltage Range at Nominal Power	400-800V	440-850V	480-850V
Start up DC Voltage	300V	300V	300V
Turn off DC Voltage	250V	250V	250V
Max. DC Current (A/B)	22A/11A	22A/22A	22A/22A
Max. Short Circuit Current for each MPPT	25A/15A	25A/25A	25A/25A
Number of MPPT trackers	2	2	2
Number of DC Connection	A:3/B:3	A:3/B:3	A:3/B:3
DC Connection Type	MC4 connector	MC4 connector	MC4 connector
OUTPUT (AC)			
Max. AC Apparent Power	13000VA	17000VA	19200VA
Nominal AC Power (cos phi = 1)	13000W	17000W	19200W
Nominal AC Voltage	3/N/PE; 220/380V	3/N/PE; 220/380V	3/N/PE; 220/380V
	3/N/PE; 230/400V	3/N/PE; 230/400V	3/N/PE; 230/400V
	3/N/PE; 240/415V	3/N/PE; 240/415V	3/N/PE; 240/415V
Nominal Grid Frequency	50Hz/60Hz	50Hz/60Hz	50Hz/60Hz
Max. AC Current	20.0A	26.0A	29.0A
Grid Voltage Range	185-276V	185-276V	185-276V
Grid Frequency Range	45-55Hz/55-65Hz	45-55Hz/55-65Hz	45-55Hz/55-65Hz
Power Factor			
Total Harmonic Distortion (THD)	<2%	<2%	<2%
Feed in Starting Power	60W	60W	60W
Night time Power Consumption	<1W	<1W	<1W
Standby Consumption	<12W	<12W	<12W
AC Connection Type	Plug-in connector	Plug-in connector	Plug-in connector
Efficiency			
Max. Efficiency	98.0%	98.1%	98.2%
Euro Efficiency	97.5%	97.6%	97.8%
MPPT Efficiency	99.9%	99.9%	99.9%
PROTECTIONS			
DC Insulation Monitoring		Yes	
DC Switch		Optional	
Residual Current Monitoring Unit (RCMU)		Integrated	
Grid Monitoring with Anti-islanding		Yes	
Protection Class		I (According to IEC 62103)	
Overvoltage Category		PV II / Mains III (According to IEC 62109-1)	
REFERENCE STANDARD			
Safety Standard		EN 62109, AS/NZS 3100	
EMC Standard		EN 61000-6-1, EN 61000-6-2, EN 61000-6-3, EN 61000-6-4, EN 61000-3-11, EN 61000-3-12	
Grid Standard		VDE-AR-N-4105, VDE 0126-1-1, PEA, C10/11, G59/3, AS4777, CEI0-21	
PHYSICAL			
Dimensions (WxHxD)		575x650x248mm	
Weight	44.5kg	45kg	45kg
Environmental Protection Rating		IP 65 (According to IEC 60529)	
Cooling Concept		Natural convection	
Mounting Information		Wall bracket	
GENERAL			
Operating Temperature Range		-25°C to +60°C (derating above 45°C)	
Relative Humidity		0% to 98%, no condensation	
Max. Altitude (above sea level)		2000m	
Noise Level		< 45dB	
Isolation Type		Transformerless	
Display		TFT Graphic Display	
Data Communication Interfaces		RS485(WiFi, GPRS optional)	
Computer Communication		RS485 (USB)	
Standard Warranty		5 years (10 ~ 25 years optional)	

*Der Netzspannungs- und frequenzbereich kann durch die landesspezifischen Netze variieren.